



Eco-Smart Solutions

www.econovagas.com

ABOUT US

Who we are

We are a leading supplier of LPG/CNG/LNG Conversion kits and Tanks. We supply only 100% European made components for best fit installations around the world. With over 20 years' experience in the industry and having knowledge from different countries around the globe made us provide the best for our partners in the World. ENERGIA Italy network is increasing rapidly as we promise to deliver the best products and services at competitive price level.

Our headquarter located in Munich/ Germany where is the heart of Automotive industry. We develop best fit conversion kits with our R&D in Germany and most of our production activities will be held in Italy. We have combined German engineering knowledge with the Italian experience in the Gas conversion systems. We are one of the few companies who can supply all needs of Conversion centers around the globe. Our range of products cover almost 95% of the worlds total car population.

We aimed to be one of the top players in the market trusting our knowledge, experience and flexibility at work. We are young and ambitious team who target to deliver the best to its customers.

Our Mission

We want to let people drive smarter environmental fuels that will make significant savings on their transportation budget. Our solutions create better future for the new generations.

Our Vision

Live in a sustainable energy environment.

Our Presence

ENERGIA is available more than 20 countries and expanding to different markets rapidly. With our experiences and service minded professional team we have put quick steps in several countries. Our aim is to provide best quality systems and parts to our partners around the globe and therefore we make sure drivers having safe and quality systems in their vehicles.

INTERNAL TOROIDAL TANK



Application

Liquid gas propane-butane mixture storage for admission of petrol engines in passenger cars, commercial and delivery vehicles.

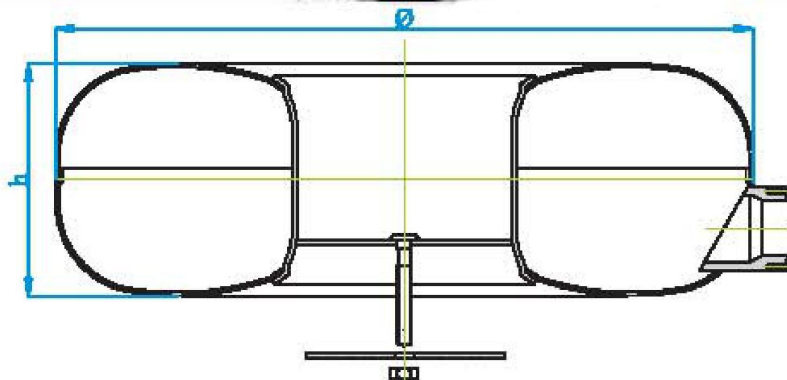
Technical Data

Class 1
Design and Test Pressure : 3000 kPa
Working Pressure max. : 2550 kPa
Sheet Data: DIN EN 10120 P265NB

PRODUCTS LIST

Product Code	Description	Ø	H	Volume
ECN550I030	INTERNAL TORODIAL TANK	550	180	30
ECN550I034	INTERNAL TORODIAL TANK	550	200	34
ECN550I038	INTERNAL TORODIAL TANK	550	220	38
ECN550I042	INTERNAL TORODIAL TANK	550	240	42
ECN550I048	INTERNAL TORODIAL TANK	550	270	48
ECN570I033	INTERNAL TORODIAL TANK	570	180	33
ECN570I037	INTERNAL TORODIAL TANK	570	200	37
ECN570I042	INTERNAL TORODIAL TANK	570	220	42
ECN570I046	INTERNAL TORODIAL TANK	570	240	46
ECN570I053	INTERNAL TORODIAL TANK	570	270	53
ECN580I034	INTERNAL TORODIAL TANK	580	180	34
ECN580I040	INTERNAL TORODIAL TANK	580	200	40
ECN580I044	INTERNAL TORODIAL TANK	580	220	44
ECN580I050	INTERNAL TORODIAL TANK	580	240	50
ECN580I055	INTERNAL TORODIAL TANK	580	270	55
ECN600I037	INTERNAL TORODIAL TANK	600	180	37
ECN600I043	INTERNAL TORODIAL TANK	600	200	43
ECN600I047	INTERNAL TORODIAL TANK	600	220	47
ECN600I052	INTERNAL TORODIAL TANK	600	240	52
ECN600I060	INTERNAL TORODIAL TANK	600	270	60
ECN630I042	INTERNAL TORODIAL TANK	630	180	42
ECN630I048	INTERNAL TORODIAL TANK	630	200	48
ECN630I053	INTERNAL TORODIAL TANK	630	220	53
ECN630I059	INTERNAL TORODIAL TANK	630	240	59
ECN630I067	INTERNAL TORODIAL TANK	630	270	67
ECN650I045	INTERNAL TORODIAL TANK	650	180	45
ECN650I051	INTERNAL TORODIAL TANK	650	200	51
ECN650I057	INTERNAL TORODIAL TANK	650	220	57
ECN650I063	INTERNAL TORODIAL TANK	650	240	63
ECN650I072	INTERNAL TORODIAL TANK	650	270	72
ECN680I049	INTERNAL TORODIAL TANK	680	180	49
ECN680I057	INTERNAL TORODIAL TANK	680	200	57
ECN680I063	INTERNAL TORODIAL TANK	680	220	63
ECN680I070	INTERNAL TORODIAL TANK	680	240	70
ECN680I080	INTERNAL TORODIAL TANK	680	270	80
ECN720I055	INTERNAL TORODIAL TANK	720	180	55
ECN720I063	INTERNAL TORODIAL TANK	720	200	63
ECN720I070	INTERNAL TORODIAL TANK	720	220	70
ECN720I078	INTERNAL TORODIAL TANK	720	240	78
ECN720I089	INTERNAL TORODIAL TANK	720	270	89

EXTERNAL TOROIDAL TANK



Application

Liquid gas propane-butane mixture storage for admission of petrol engines in passenger cars, commercial and delivery vehicles.

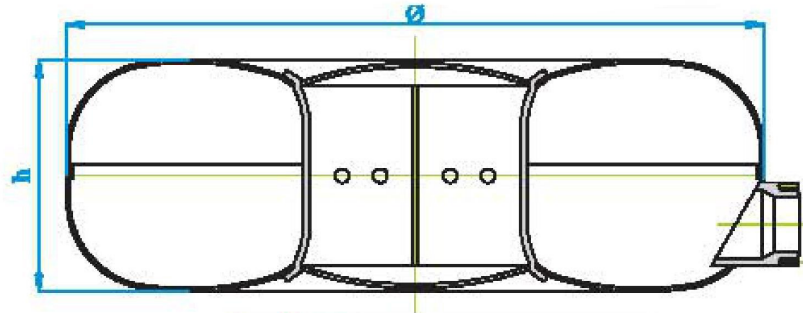
Technical Data

Class 1
Design and Test Pressure : 3000 kPa
Working Pressure max. : 2550 kPa
Sheet Data: DIN EN 10120 P265NB

PRODUCTS LIST

Product Code	Description	Ø	H	Volume
ECN550E030	EXTERNAL TOROIDAL TANK	550	180	30
ECN550E034	EXTERNAL TOROIDAL TANK	550	200	34
ECN550E038	EXTERNAL TOROIDAL TANK	550	220	38
ECN550E042	EXTERNAL TOROIDAL TANK	550	240	42
ECN550E048	EXTERNAL TOROIDAL TANK	550	270	48
ECN570E033	EXTERNAL TOROIDAL TANK	570	180	33
ECN570E037	EXTERNAL TOROIDAL TANK	570	200	37
ECN570E042	EXTERNAL TOROIDAL TANK	570	220	42
ECN570E046	EXTERNAL TOROIDAL TANK	570	240	46
ECN570E053	EXTERNAL TOROIDAL TANK	570	270	53
ECN580E034	EXTERNAL TOROIDAL TANK	580	180	34
ECN580E040	EXTERNAL TOROIDAL TANK	580	200	40
ECN580E044	EXTERNAL TOROIDAL TANK	580	220	44
ECN580E050	EXTERNAL TOROIDAL TANK	580	240	50
ECN580E055	EXTERNAL TOROIDAL TANK	580	270	55
ECN600E037	EXTERNAL TOROIDAL TANK	600	180	37
ECN600E043	EXTERNAL TOROIDAL TANK	600	200	43
ECN600E047	EXTERNAL TOROIDAL TANK	600	220	47
ECN600E052	EXTERNAL TOROIDAL TANK	600	240	52
ECN600E060	EXTERNAL TOROIDAL TANK	600	270	60
ECN630E042	EXTERNAL TOROIDAL TANK	630	180	42
ECN630E048	EXTERNAL TOROIDAL TANK	630	200	48
ECN630E053	EXTERNAL TOROIDAL TANK	630	220	53
ECN630E059	EXTERNAL TOROIDAL TANK	630	240	59
ECN630E067	EXTERNAL TOROIDAL TANK	630	270	67
ECN650E045	EXTERNAL TOROIDAL TANK	650	180	45
ECN650E051	EXTERNAL TOROIDAL TANK	650	200	51
ECN650E057	EXTERNAL TOROIDAL TANK	650	220	57
ECN650E063	EXTERNAL TOROIDAL TANK	650	240	63
ECN650E072	EXTERNAL TOROIDAL TANK	650	270	72
ECN680E049	EXTERNAL TOROIDAL TANK	680	180	49
ECN680E057	EXTERNAL TOROIDAL TANK	680	200	57
ECN680E063	EXTERNAL TOROIDAL TANK	680	220	63
ECN680E070	EXTERNAL TOROIDAL TANK	680	240	70
ECN680E080	EXTERNAL TOROIDAL TANK	680	270	80
ECN720E055	EXTERNAL TOROIDAL TANK	720	180	55
ECN720E063	EXTERNAL TOROIDAL TANK	720	200	63
ECN720E070	EXTERNAL TOROIDAL TANK	720	220	70
ECN720E078	EXTERNAL TOROIDAL TANK	720	240	78
ECN720E089	EXTERNAL TOROIDAL TANK	720	270	89

ULTRA TOROIDAL TANK



Application

Liquid gas propane-butane mixture storage for admission of petrol engines in passenger cars, commercial and delivery vehicles.

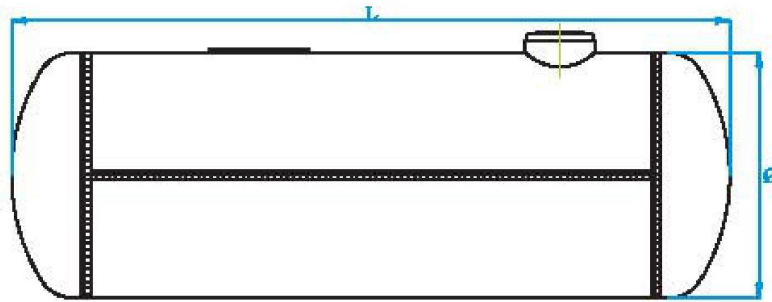
Technical Data

Class 1
Design and Test Pressure : 3000 kPa
Working Pressure max. : 2550 kPa
Sheet Data: DIN EN 10120 P265NB

PRODUCTS LIST

Product Code	Description	Ø	H	Volume
ECN550U033	ULTRA TOROIDAL TANK	550	180	33
ECN550U037	ULTRA TOROIDAL TANK	550	200	37
ECN550U042	ULTRA TOROIDAL TANK	550	220	42
ECN550U046	ULTRA TOROIDAL TANK	550	240	46
ECN550U053	ULTRA TOROIDAL TANK	550	270	53
ECN570U036	ULTRA TOROIDAL TANK	570	180	36
ECN570U040	ULTRA TOROIDAL TANK	570	200	40
ECN570U046	ULTRA TOROIDAL TANK	570	220	46
ECN570U050	ULTRA TOROIDAL TANK	570	240	50
ECN570U058	ULTRA TOROIDAL TANK	570	270	58
ECN580U037	ULTRA TOROIDAL TANK	580	180	37
ECN580U043	ULTRA TOROIDAL TANK	580	200	43
ECN580U048	ULTRA TOROIDAL TANK	580	220	48
ECN580U054	ULTRA TOROIDAL TANK	580	240	54
ECN580U060	ULTRA TOROIDAL TANK	580	270	60
ECN600U040	ULTRA TOROIDAL TANK	600	180	40
ECN600U046	ULTRA TOROIDAL TANK	600	200	46
ECN600U051	ULTRA TOROIDAL TANK	600	220	51
ECN600U056	ULTRA TOROIDAL TANK	600	240	56
ECN600U065	ULTRA TOROIDAL TANK	600	270	65
ECN630U045	ULTRA TOROIDAL TANK	630	180	45
ECN630U051	ULTRA TOROIDAL TANK	630	200	51
ECN630U057	ULTRA TOROIDAL TANK	630	220	57
ECN630U063	ULTRA TOROIDAL TANK	630	240	63
ECN630U072	ULTRA TOROIDAL TANK	630	270	72
ECN650U048	ULTRA TOROIDAL TANK	650	180	48
ECN650U054	ULTRA TOROIDAL TANK	650	200	54
ECN650U061	ULTRA TOROIDAL TANK	650	220	61
ECN650U067	ULTRA TOROIDAL TANK	650	240	67
ECN650U077	ULTRA TOROIDAL TANK	650	270	77
ECN680U052	ULTRA TOROIDAL TANK	680	180	52
ECN680U060	ULTRA TOROIDAL TANK	680	200	60
ECN680U067	ULTRA TOROIDAL TANK	680	220	67
ECN650U074	ULTRA TOROIDAL TANK	680	240	74
ECN680U085	ULTRA TOROIDAL TANK	680	270	85
ECN720U058	ULTRA TOROIDAL TANK	720	180	58
ECN720U066	ULTRA TOROIDAL TANK	720	200	66
ECN720U074	ULTRA TOROIDAL TANK	720	220	74
ECN720U082	ULTRA TOROIDAL TANK	720	240	82
ECN720U094	ULTRA TOROIDAL TANK	720	270	94

CYLINDER TANK



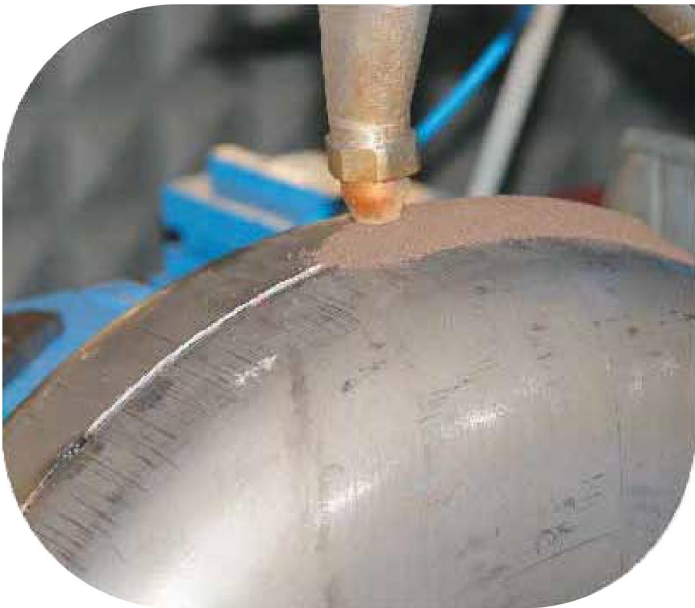
Application

Liquid gas propane-butane mixture storage for admission of petrol engines in passenger cars, commercial and delivery vehicles.

PRODUCTS LIST

Product Code	Description	Ø	H	Volume
ECN244B020	CYLINDER TANK	244	503	20
ECN244B025	CYLINDER TANK	244	615	25
ECN244B030	CYLINDER TANK	244	727	30
ECN244B035	CYLINDER TANK	244	840	35
ECN244B040	CYLINDER TANK	244	950	40
ECN244B045	CYLINDER TANK	244	1052	45
ECN270B036	CYLINDER TANK	270	720	36
ECN270B040	CYLINDER TANK	270	790	40
ECN270B045	CYLINDER TANK	270	885	45
ECN270B050	CYLINDER TANK	270	980	50
ECN270B055	CYLINDER TANK	270	1069	55
ECN270B060	CYLINDER TANK	270	1100	60
ECN300B050	CYLINDER TANK	300	800	50
ECN300B055	CYLINDER TANK	300	835	55
ECN300B060	CYLINDER TANK	300	940	60
ECN300B065	CYLINDER TANK	300	1050	65
ECN300B070	CYLINDER TANK	300	1080	70
ECN315B032	CYLINDER TANK	315	460	32
ECN315B035	CYLINDER TANK	315	498	35
ECN315B040	CYLINDER TANK	315	560	40
ECN315B045	CYLINDER TANK	315	623	45
ECN315B050	CYLINDER TANK	315	690	50
ECN315B060	CYLINDER TANK	315	820	60
ECN315B065	CYLINDER TANK	315	937	65
ECN315B070	CYLINDER TANK	315	1004	70
ECN360B040	CYLINDER TANK	360	480	40
ECN360B050	CYLINDER TANK	360	584	50
ECN360B060	CYLINDER TANK	360	686	60
ECN360B070	CYLINDER TANK	360	786	70
ECN360B080	CYLINDER TANK	360	893	80
ECN360B090	CYLINDER TANK	360	994	90
ECN360B100	CYLINDER TANK	360	1100	100
ECN360B110	CYLINDER TANK	360	1200	110
ECN360B120	CYLINDER TANK	360	1304	120

PRODUCTION



PRODUCTION





Eco-Smart Solutions

www.econovagas.com